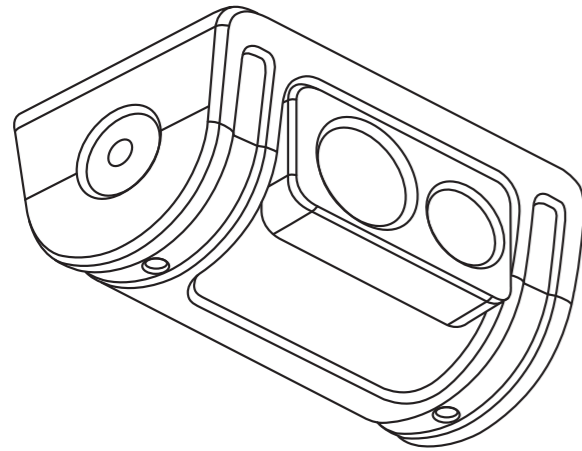


Contents

IP-1100C - Side view camera

Part No.	Model No.	Quantity	Description
5961	IP-1100C-C	1	IP Camera only - surface-mount, IP67 (1080P)
5970	IP-1100C-FIX	1	4 x M3 Fixing Screws and 1 x M3 Hex key (L Shape) (Not shown)

PIN #	Wire Colour	Description
1	ORANGE	TX-
2	WHITE	TX+
3	RED	+12V
4	GREEN	RX-
5	YELLOW	RX+
6	BLACK	GND



Specifications

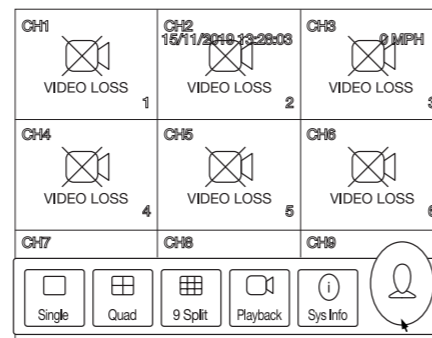
IP-1100C - Side view camera

PICK-UP DEVICE	CMOS
VIDEO COMPRESSION	H.264 or H.265
NETWORK PROTOCOL	MDRS, TCP/IP, HTTP, DHCP, NTP, FTP
PICTURE ELEMENTS	1920*1080
IMAGE SIZE	1/2.5
EFFECTIVE HOR. RESOLUTION	Approximately 800 TV Lines
REQUIRED ILLUMINATION	0.05 Lux (color illumination)
POWER SUPPLY	12Vdc ± 2Vdc
POWER CONSUMPTION	5W (at 12Vdc)
LENS ANGLE	103°(D) 84°(H) 46°(V)
OPERATING TEMPERATURE RANGE	-40°C ~ 70°C
STORAGE TEMPERATURE RANGE	-40°C ~ 85°C
WEIGHT	460g
DIMENSIONS (W x H x D)	95.6mm x 51.2mm x 57.8mm

Quick Start Steps

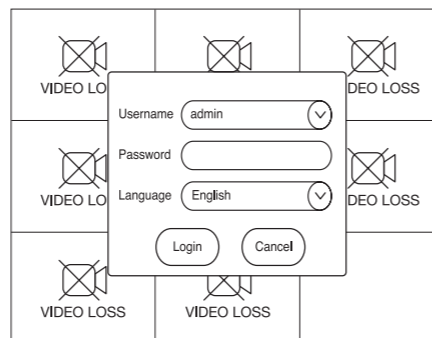
Step 1

After connecting the IP camera with an MDR, go to the MDR On Screen Display. Right click to show the function bar and click the profile icon.



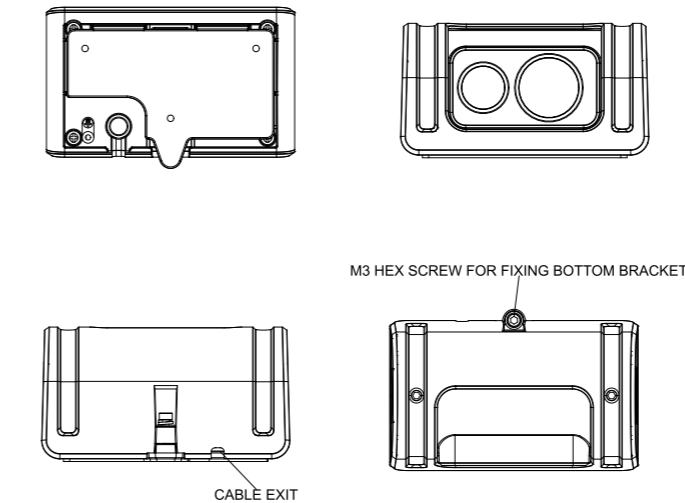
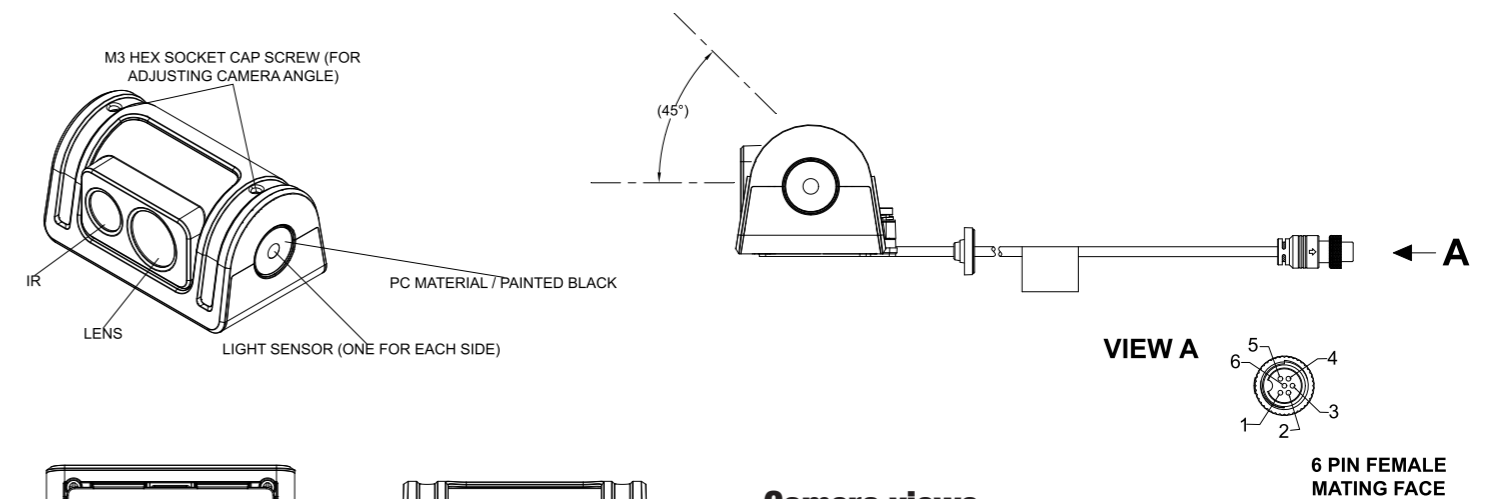
Step 2

Input password. (Default is "admin").



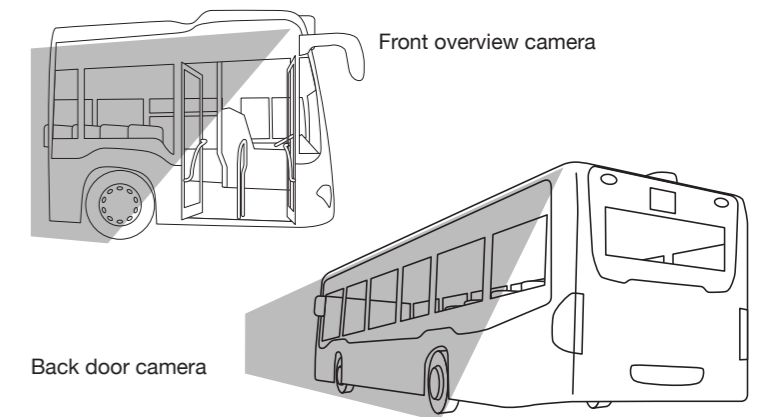
Step 3

Choose "Setup"

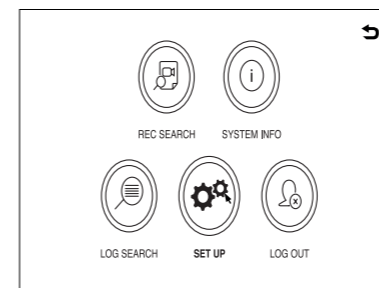


Camera views

IP-1100C

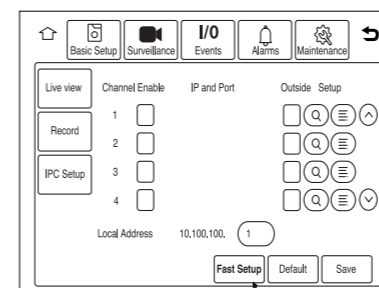


Quick Start Steps



Step 4

Click "Surveillance" -> "IPC Setup" -> "Fast Setup"



Step 5

The MDR will start to search and connect to all IP Cameras (This will take 1-3 seconds).

The left side of the screen will show a live view of the IP camera. The right half of the screen will show basic set up options.

IPC ID: A / B;

A = current showing IP camera ID

B = total IP camera/s detected

Binding CH: assign the IP camera to the preferred channel.

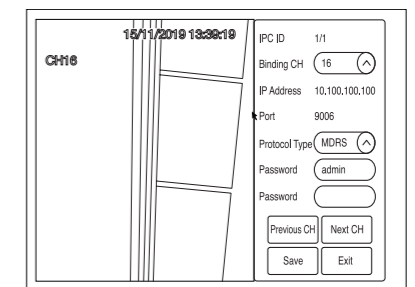
Note: It is recommended to choose channels 5-6 when using an MDR-504XX-XXXX and channels 9-16 when using an MDR-508XX-XXXX to avoid conflict with analogue cameras.

Do not change **Protocol Type** from default settings of 'MDRS'

After binding EACH camera channel click "Save".

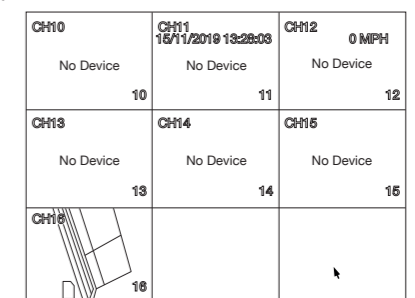
Use Buttons "Previous CH" and "Next CH" to view and setup each IP camera

Click "Exit" to exit IP camera setup page.



Step 6

Go back to the Live view page, the IP camera has been successfully assigned to a specific channel number.



Quick installation instructions

IP-1100C

BRIGADE

BRIGADE

www.brigade-electronics.com

Disclaimer

Internet Protocol cameras have an inherent time delay and are designed to capture footage and help drivers and operators by providing high quality retrospective evidence in the event of an incident.

Internet Protocol cameras should not be used as a driver aid when performing vehicle manoeuvres and do not exempt the driver from taking every normal precaution to ensure safety.

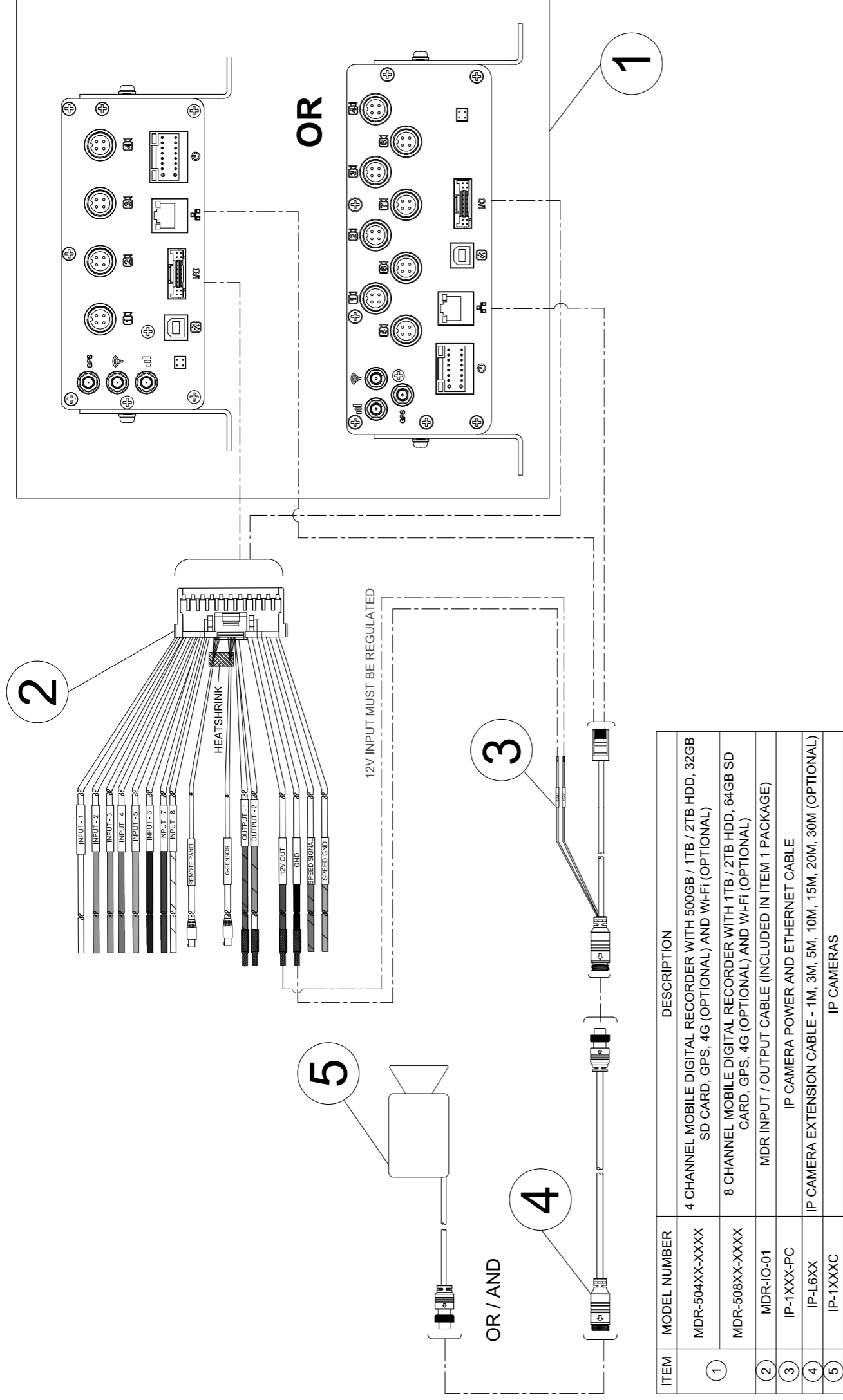
No liability arising out of the use or failure of the product can in any way be attached to Brigade or to the distributor.

Part #5936

The guide is available in Dutch, French, German, Italian, Polish, Portuguese, Russian, Spanish and Turkish at www.brigade-electronics.com/productsupportarea

Connections with 1 camera

Option 1: 1 x IP Camera connecting directly to the MDR
12V regulated DC power supply must be used to power IP Cameras (if PON Switch is not used). Alternatively, Brigade recommends the 12V DC supply output from MDR IO cable.



Connection with multiple cameras

Option 2: Connecting multiple IP cameras to the MDR using 4-CH or 8-CH PON Switch

